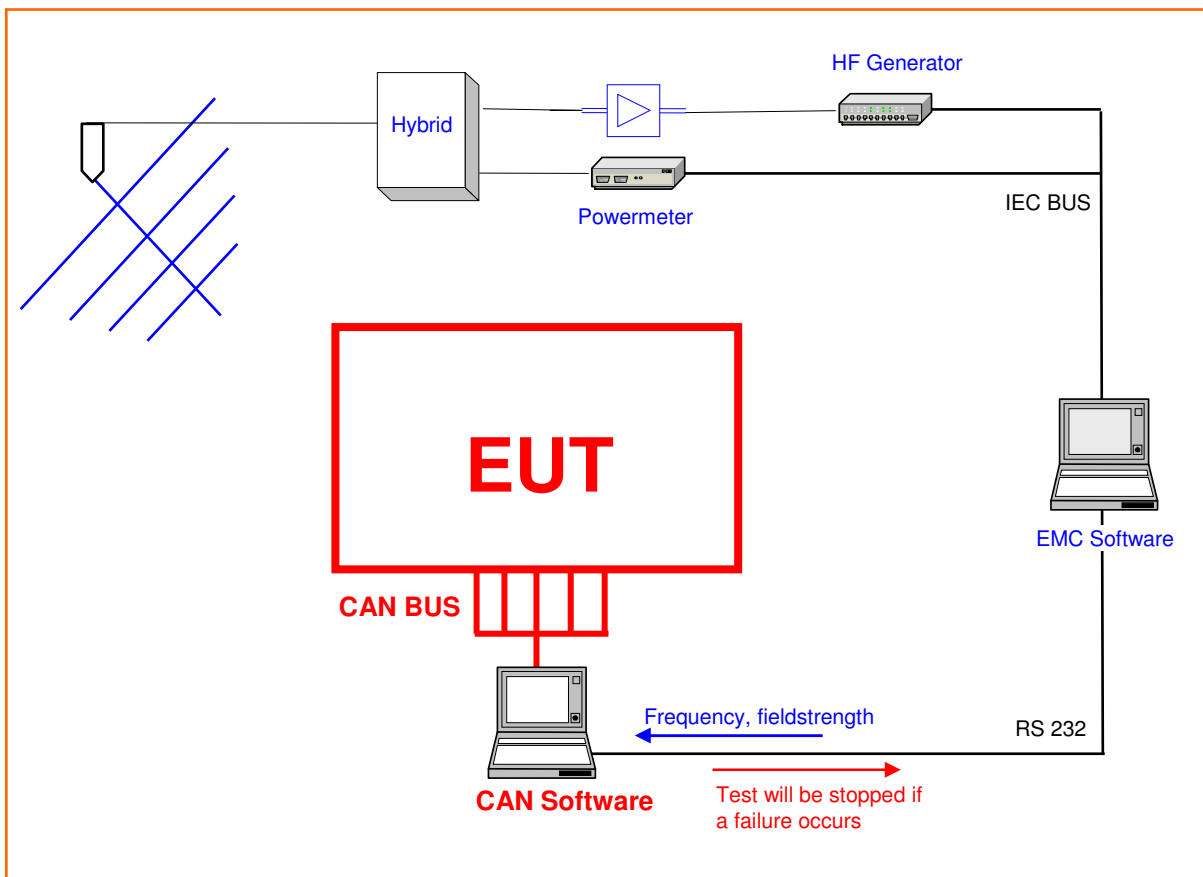


ELECTROMAGNETIC COMPATIBILITY / PRODUCT SAFETY

Automation of CAN BUS signal evaluation and logging

The new testing procedure:

Logging and evaluating all data from a CAN Bus allows a complete documentation of the test result already during measurement. All CAN Bus signals will be collected real-time in relation to the test parameters. This results in a shorter qualification time, simplified trouble-shooting and cost saving.



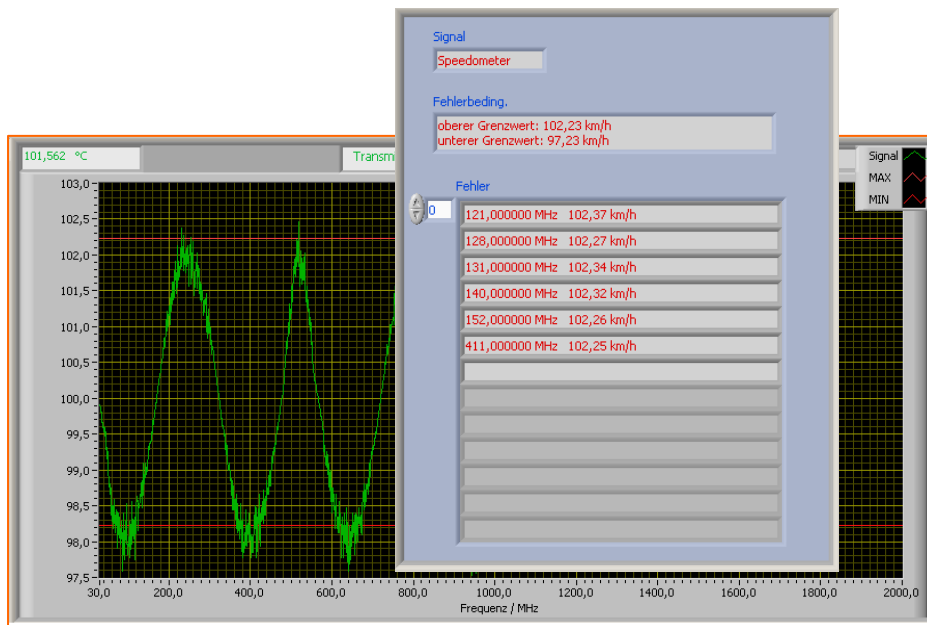
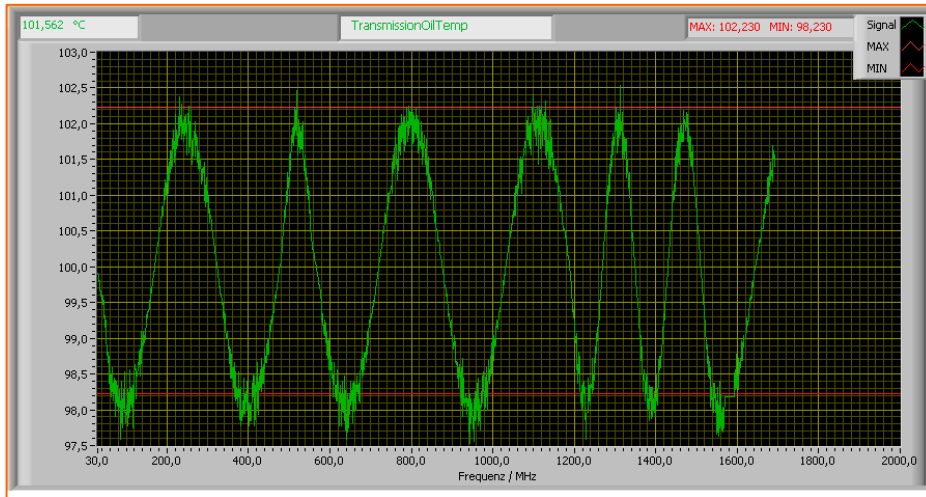
Your benefit:

- Free product specific definition of limits to be monitored
- Simultaneous real-time collecting of all CAN Bus signals in relation to test parameters
- Active intervening (e.g. stopping test) if a CAN Bus signal is out of specification
- Graphic display of free selectable CAN Bus signals and limits

ELECTROMAGNETIC COMPATIBILITY / PRODUCT SAFETY

Automation of CAN BUS signal evaluation and logging

- Graphic display of free selectable CAN signals and limits in different windows



SGS Germany GmbH
Center for Quality Engineering
Hofmannstraße 50
81379 Munich
Phone.: +49 89 / 787475-100
Fax: +49 89 / 1250406-4100
e-mail: cqe@sgs.com
internet: www.sgs-cqe.de

Contact: Armin Hudetz
Phone: + 49 89 / 787475-133